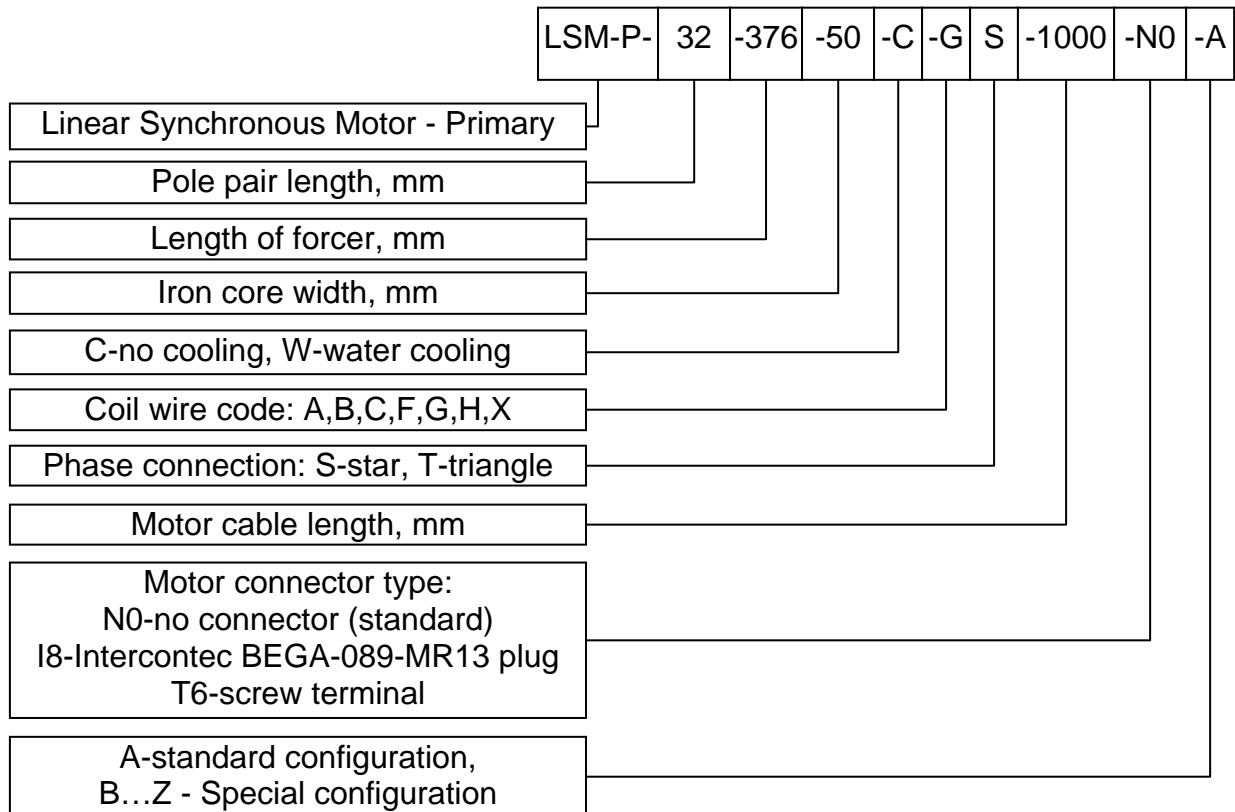
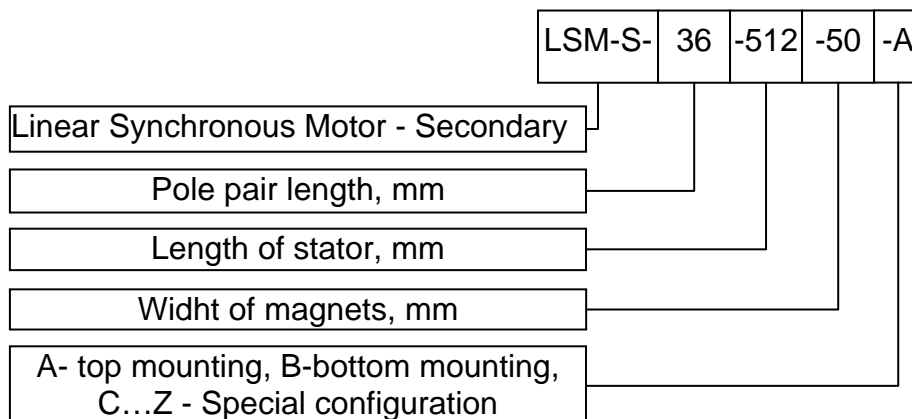


Order key for linear synchronous motors

Primary part (forcer with iron core, windings and cable):



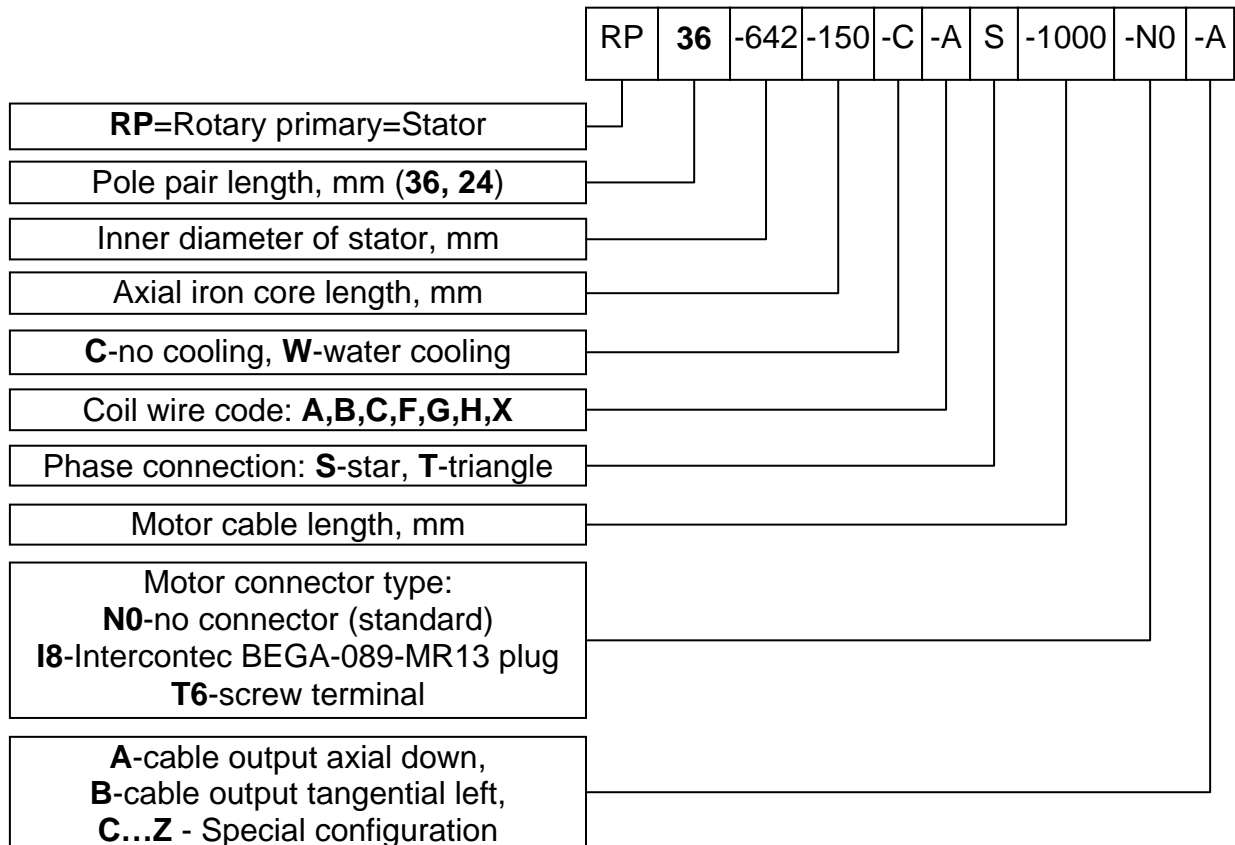
Secondary part (stator, magnet way with permanent magnets):



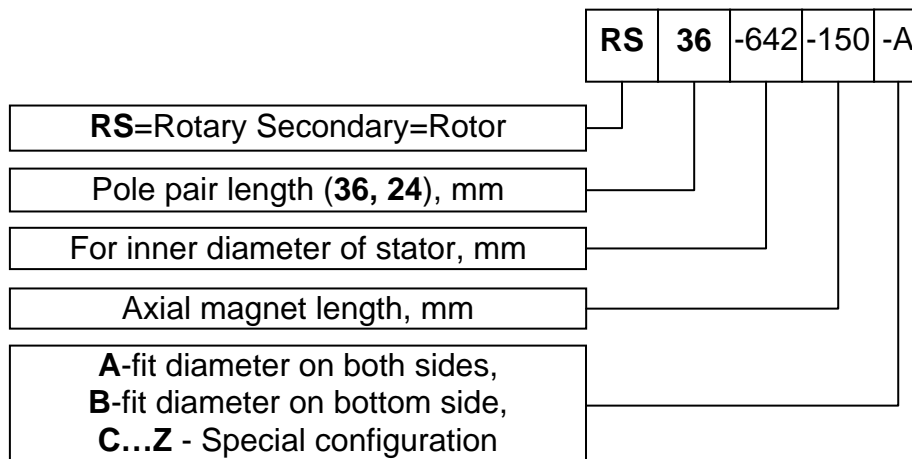
Order example: Linear synchronous motor forcer LSM-P-32-376-50-C-GS-1000-N0-A,
Linear synchronous motor stator LSM-S-32-512-50-A

Order key for rotary synchronous motors

Stator (iron core with windings and cable):



Rotor:



Order example: Stator RP36-642-150-C-AS-3000-NO-A, Rotor RS36-642-150-A